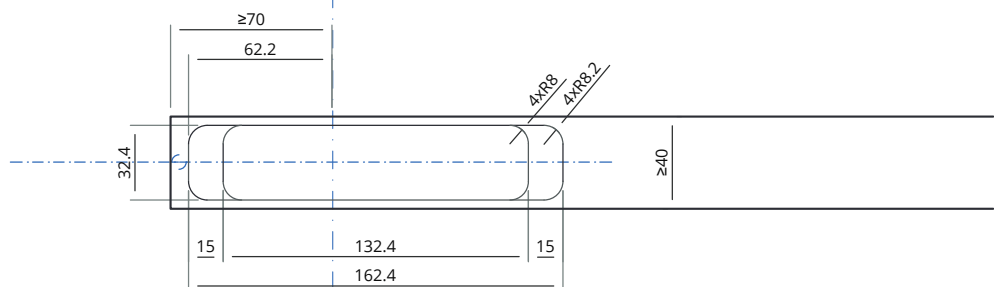
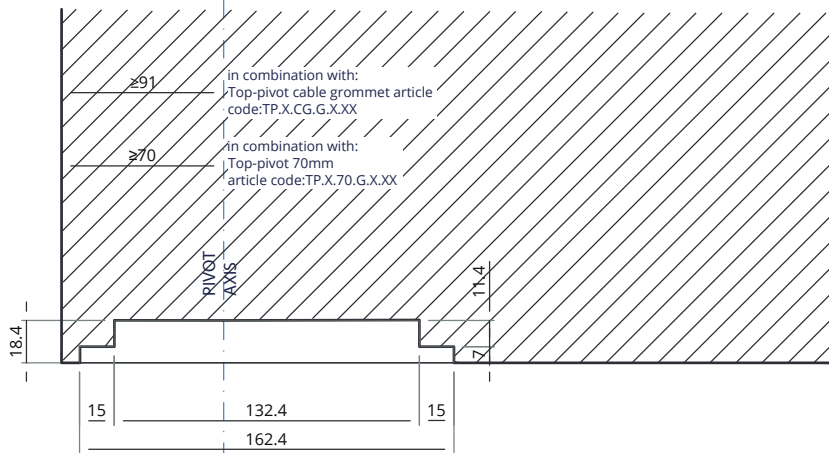
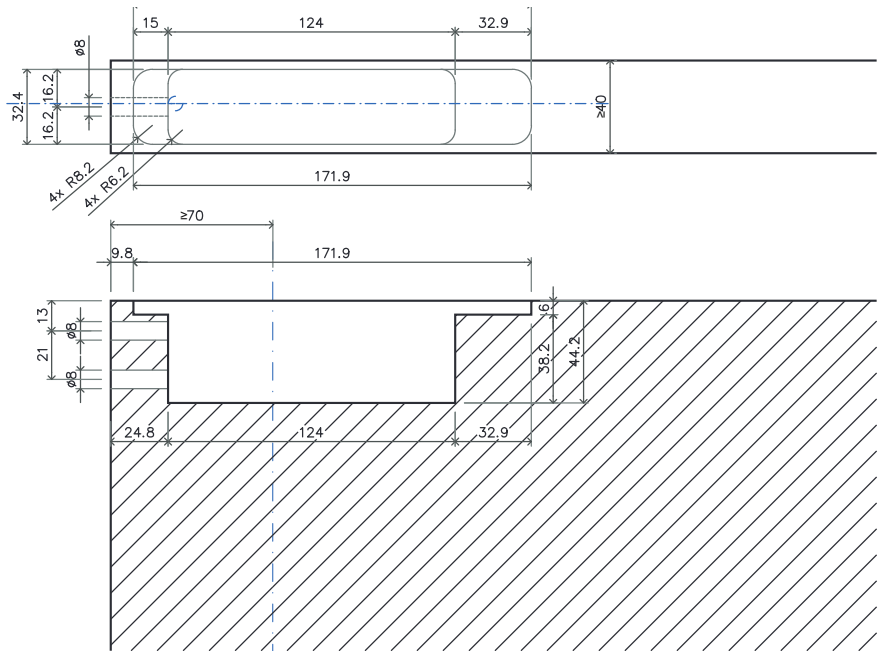
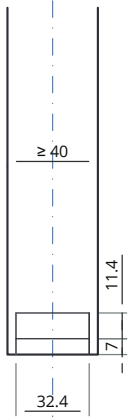
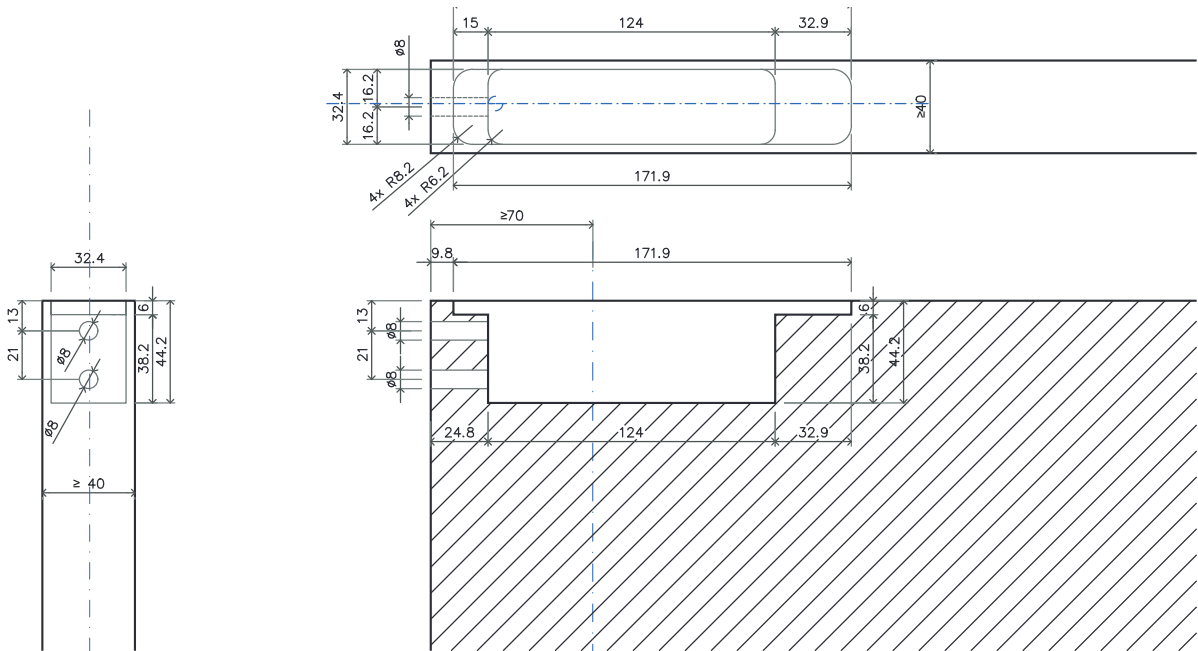
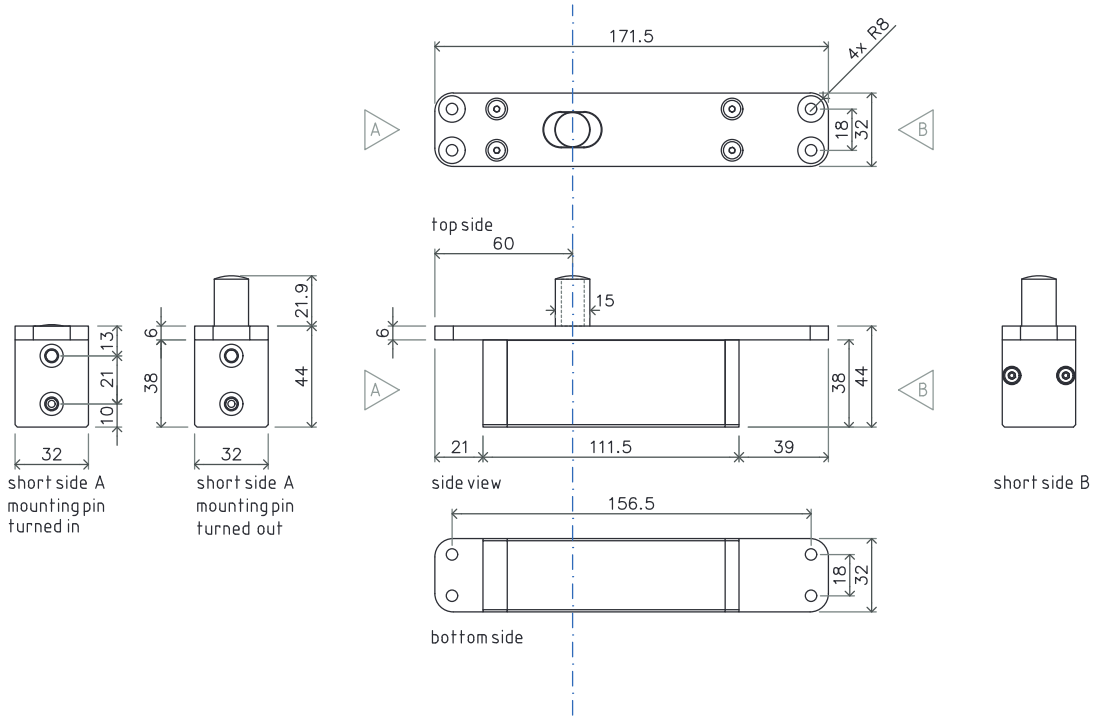


MILLING

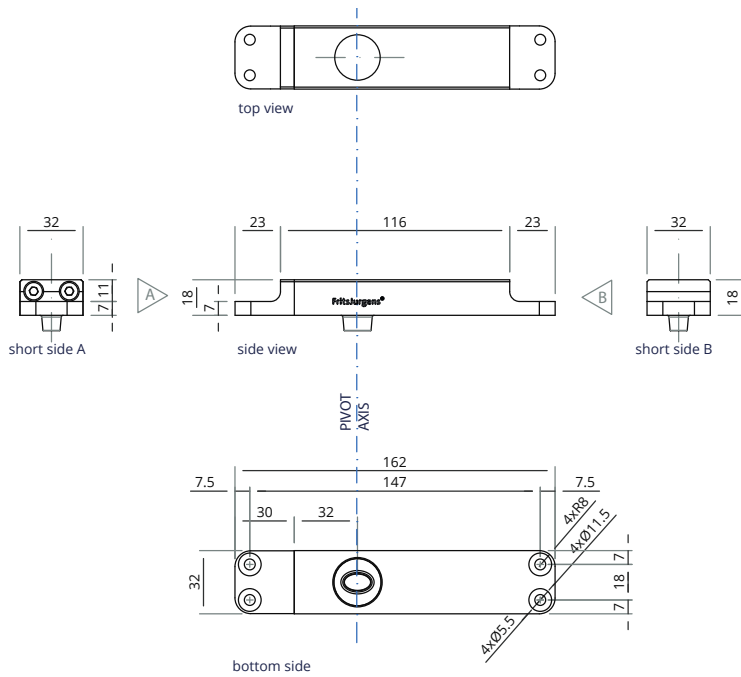
70MM ≤ A < 250 MM
 PREPARING THE DOOR



COMPONENTS



Top pivot 70 mm - Class G



System One 70 mm