



Montaggio esterno con cover
External mounting with cover



Montaggio incassato in controspalla
Recessed mounting in cover side panel

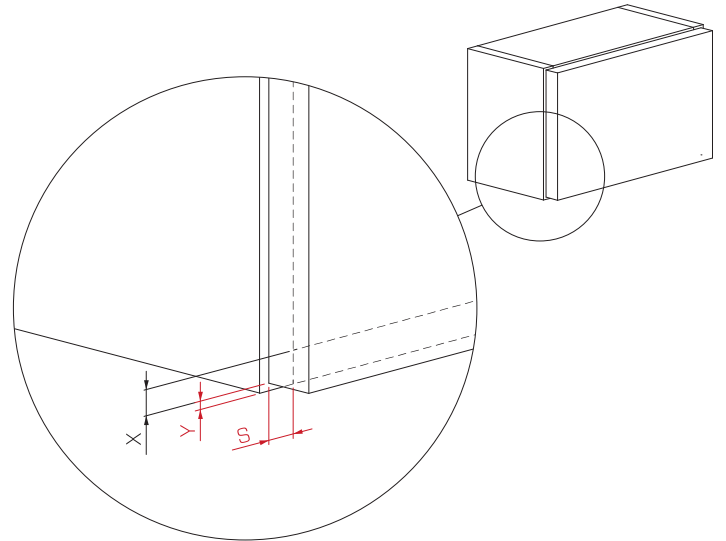
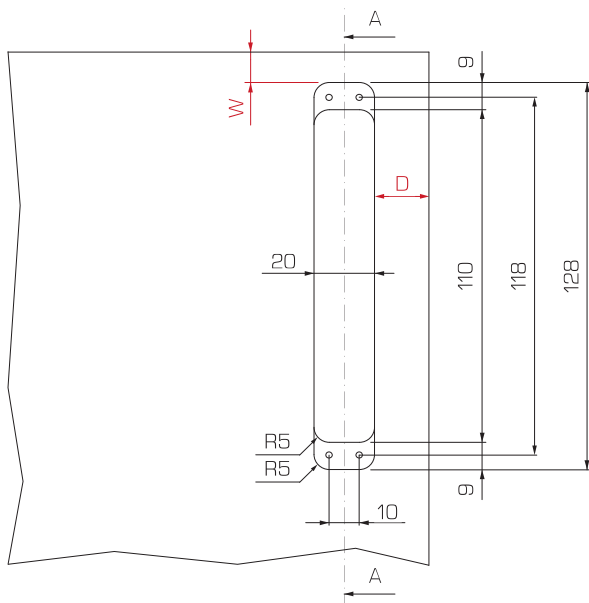


Montaggio esterno con cover a filo
External mounting with flush cover

$$D = S + 1$$

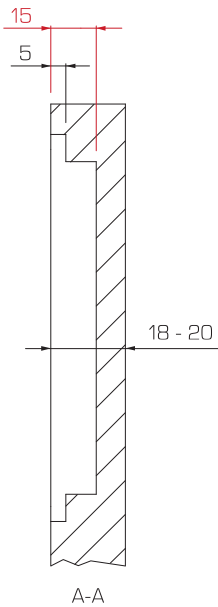
$$D = S + 1$$

$$D = S - 13,5$$

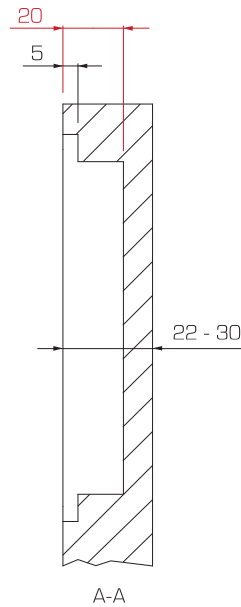


Spessori standard
Standard thickness

Grandi spessori
Large thicknesses



Y	W
1	11
1,5	10,5
2	10
2,5	9,5
3	9
4	8
5	7



Y	W
1	16
1,5	15,5
2	15
2,5	14,5
3	14
4	13
5	12